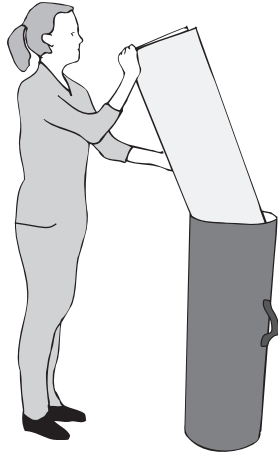


How to pack Expand LinkWall



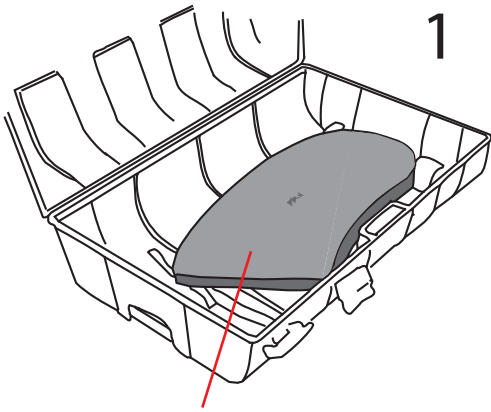
Panels



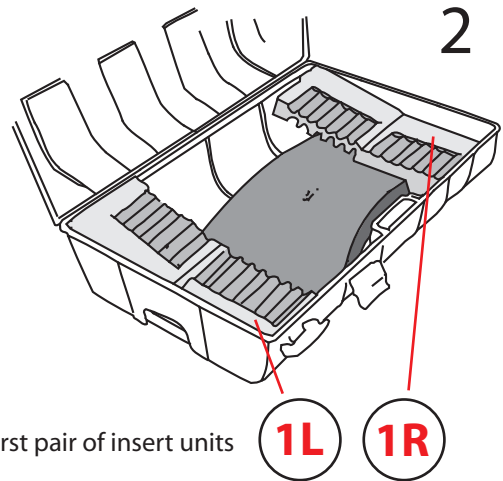
Spotlights



Magnetic bars



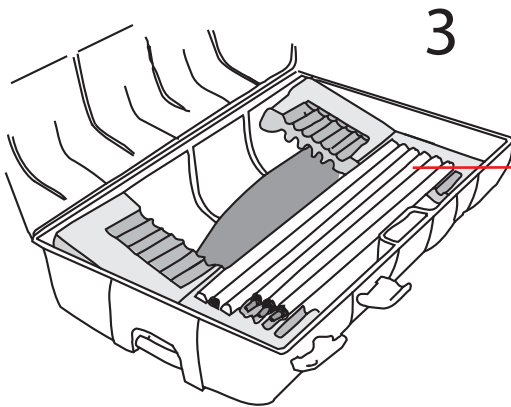
Start with table top (optional)
- attach straps



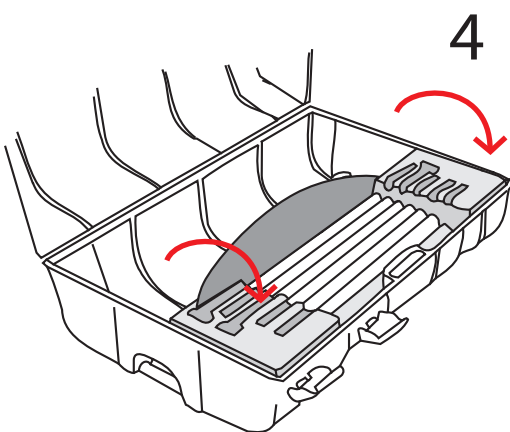
Place first pair of insert units

1L

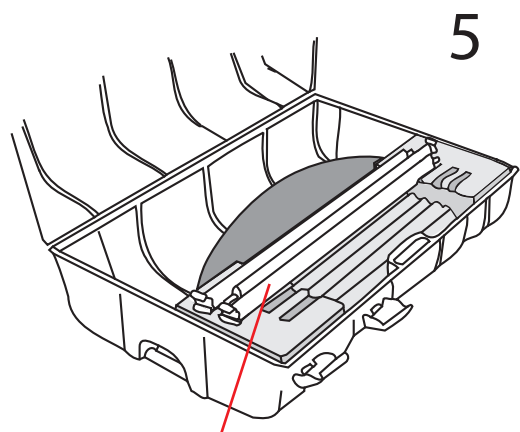
1R



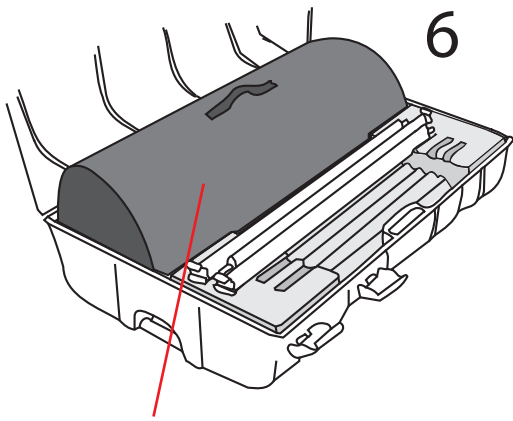
Arrange middle and base poles



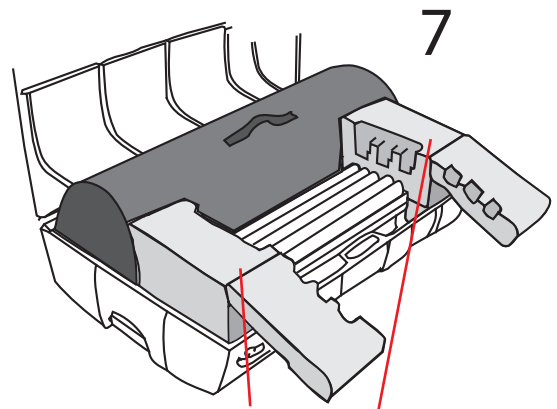
Close insert units...



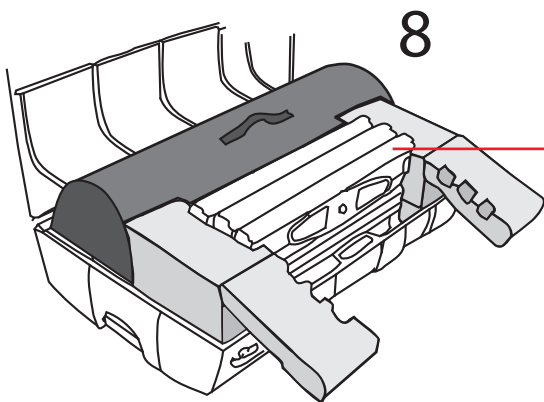
..and then place top poles on top



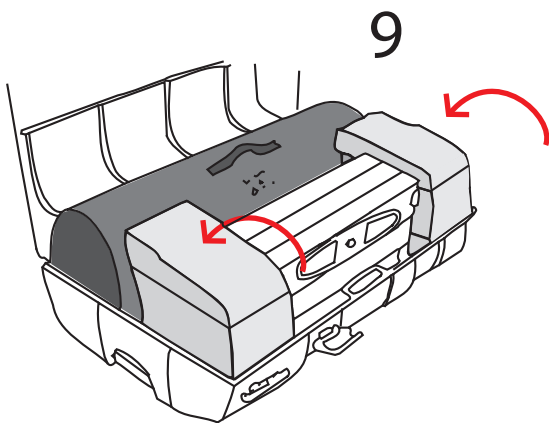
Put in panel case



Add second pair of insert units



Place base units (feet towards you)



Close insert units

Cut-out of insert **1R** to pack table-top (optional)

